

Nikon SMZ Series

Nikon OEM Lights

Ring lights provide excellent uniformity, intense shadow-free on-axis lighting and are especially useful when imaging or inspecting highly reflective objects. The ring light illumination designed to directly fit the most common SMZ series stereo microscopes from Nikon. These annular ring lights are a perfect fit and they maximize your working area at the same time.

The SMZ series fiber optic ring light output is an annular configuration supplying 360 degrees of brilliant, oblique and even cross-illumination directed toward the optical axis at working distances from 1.5 to 6.0 inches (4 – 15 cm).

The Large diameter 70001073 ring light is designed for use with the coaxial illuminator on parallel design SMZ800, SMZ1000 & SMZ1500. See application table below for correct microscope / ring light selection.

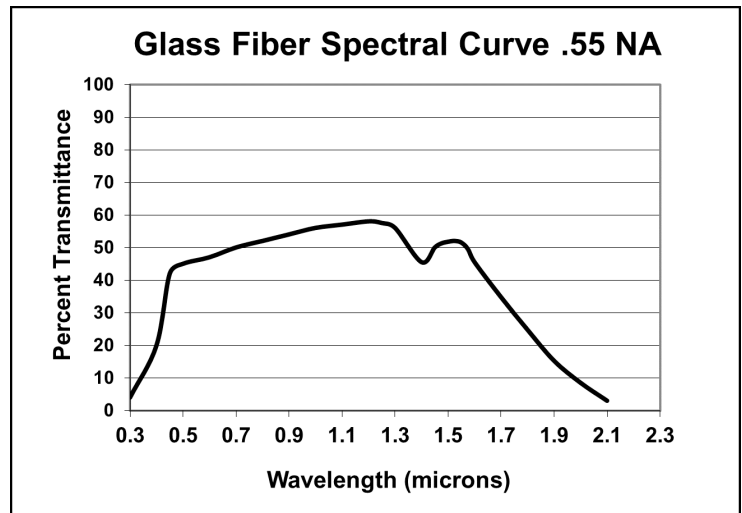
PRODUCT SPECIFICATIONS	
Fiber Material	Borosilicate Glass
Numerical Aperture	0.55 nominal
Acceptance (cone) Angle	68 degrees nominal
Fiber Bundle Diameter	0.364"
Temperature Rating	225°F
Packing Fraction	82% nominal
Sheathing Material	Flexible PVC Coated Metal Hose
Bend Radius	3.0"
Ring Light Head Housing Material	Black Anodized Aluminum
Input End Ferrule Material	303 Stainless Steel
Mounting Type	No-mar Thumbscrews (4-40) / Threaded locking ring
RoHS	Yes
Accessories (Optional)	N/A
Warranty	12 Months



A645NK41



700010730039



A645NK41 & 70001073xxxx Applications

SMZ645, SMZ660 & SMZ660V	
	0.27x & 0.5x Auxiliary Lenses
SMZ800 & SMZ1000	
	with 0.5x, 1.5x & 2x Lens
SMZ1500	
	with 0.5x & 1x Lens
SMZU & SMZ10A	
	with 0.5x & 1.5x Lens

A645NK41 - Nikon Microscope Ringlight A

Mounting: Threaded Locking Ring (included) • Working Distance: 1.25in. - 5.0in.

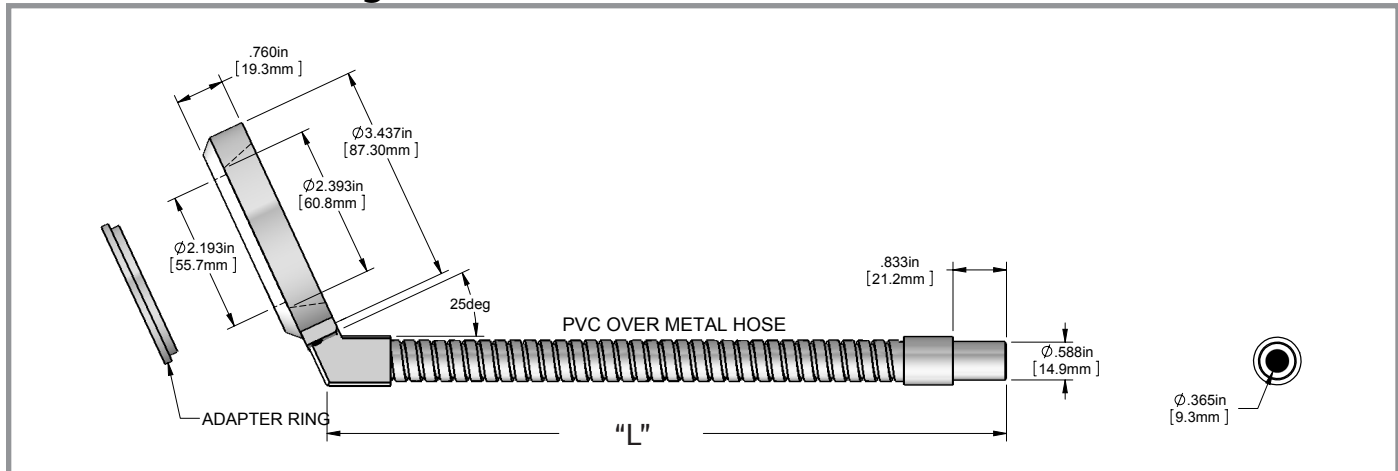
Model	Part #	Cable Length (in.) "L"	End Tip Dia. (in.)	Light Source Adapter for .590 (15mm) Input	Light Source Adapter for 1.00 (25mm) Input	Application
A645NK41	700008560044	41	.588	Direct Fit	SX-13	SMZ645, SMZ660, SMZ660V, SMZ1000

70001073xxxx - Nikon Microscope Large Diameter Ring Light

Mounting: 4-40 No-mar thumbscrew • Working Distance: 2.0in. - 6.0in.

Model	Part #	Cable Length (in.) "L"	End Tip Dia. (in.)	Light Source Adapter for .590 (15mm) Input	Light Source Adapter for 1.00 (25mm) Input	Application
700010730039	700010730039	39	.588	Direct Fit	SX-13	SMZ800 (w/ .5 X 1.5 and 2 objective lenses), SMZ1000(w/ .5 X 1.5 and 2 objective lenses), SMZU (w/.5 X 1.5 objective lens), SMZ10A (w/.5 X1.5 objective lens), SMZ1500 (w/.5 X1 objective lens)
700010730060	700010730060	60				

A645NK41 Series Light Dimensions:



70001073 Series Light Dimensions:

