

A37 Series

Ringlight

Dolan-Jenner's ring lights provide excellent uniformity, intense shadow-free on-axis lighting and are especially useful when imaging or inspecting highly reflective objects. The ring light Illumination Systems provide high intensity illumination at the highest magnification and long working distances without light adjustment when refocusing or when zoom features are used. The fiber optic system will eliminate the clutter and head radiation of multiple conventional Light sources.

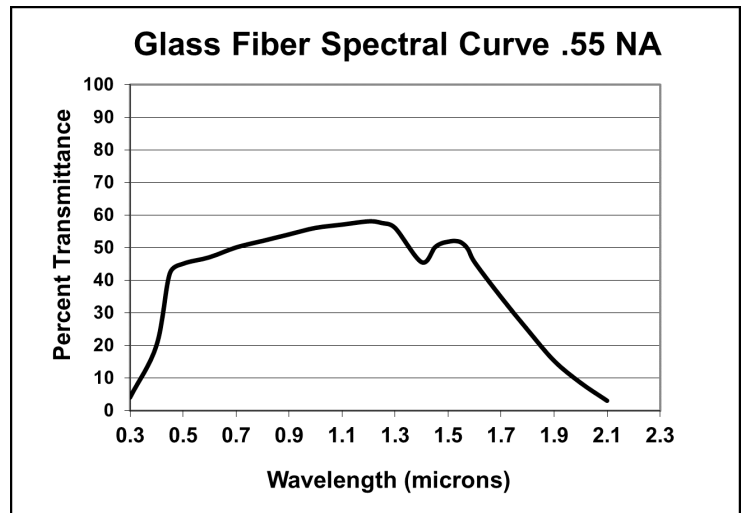
The A37 series fiber optic output is an annular (ring) configuration supplying 360 degrees of brilliant, oblique and even cross-illumination directed toward the optical axis at working distances from 1.5 to 9.0 inches (4 – 23 cm). Fits objective lenses 50mm-60mm diameter.

To further reduce specular reflections from shiny surfaces, ring lights can be used in combination with a polarizer and analyzer.

PRODUCT SPECIFICATIONS	
Fiber Material	Borosilicate Glass
Numerical Aperture	0.55 nominal
Acceptance (cone) Angle	68 degrees nominal
Fiber Bundle Diameter	0.364"
Temperature Rating	225°F
Packing Fraction	82% nominal
Sheathing Material	Flexible PVC Coated Metal Hose
Bend Radius	3.0"
Ring Light Head Housing Material	Durable Lightweight ABS Plastic
Input End Ferrule Material	303 Stainless Steel
Mounting Type	3 No-mar Thumbscrews
RoHS	Non Applicable
Accessories (Optional)	A37P-PLZ Analyzer Polarizer
Warranty	12 Months



Mi-LED-US-RL




A3739M



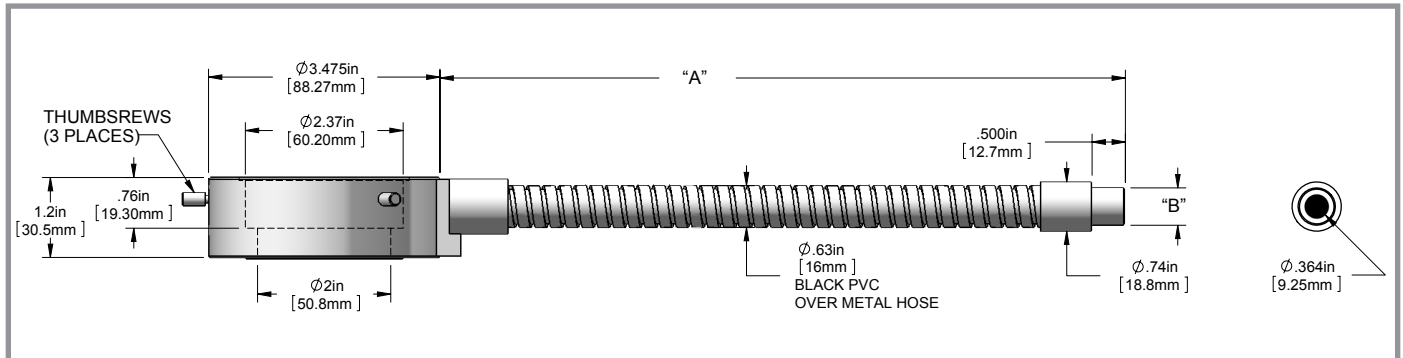
A3739P

A37 Plastic Series - Plastic housing, PVC coated metal hose sheathing

Fits: 50 - 60 mm Diameter Objectives, Mounting: 3 Thumb Screws Working Distance: 1.5in. - 9.0in.

Model	Part #	Cable Length A	End Tip Dia. B	Light Source Adapter for .590 (15mm) Input	Light Source Adapter for 1.00 (25mm) Input	Optional Polarizer
A3739M	002190120039	36" (914mm)	.588" (15mm)	Direct Fit	SX-13	 <p>A37P-PLZ 010090510000</p>
A3739P	002190040039	36" (914mm)	.562" (14.2mm)	N/A	SX-10	
A3748P	002190040048	45" (1142mm)	.562" (14.2mm)	N/A	SX-10	
A3760P	002190040060	57" (1447mm)	.562" (14.2mm)	N/A	SX-10	
A3775P	002190040075	72" (1827mm)	.562" (14.2mm)	N/A	SX-10	
A3775M	002190120075	72" (1827mm)	.588" (15mm)	Direct Fit	SX-13	
A3739B	002190070036	36" (914mm)	.588 with groove	Direct Fit	SX-13	

A3739P Dimensions:



A3739M Dimensions:

