

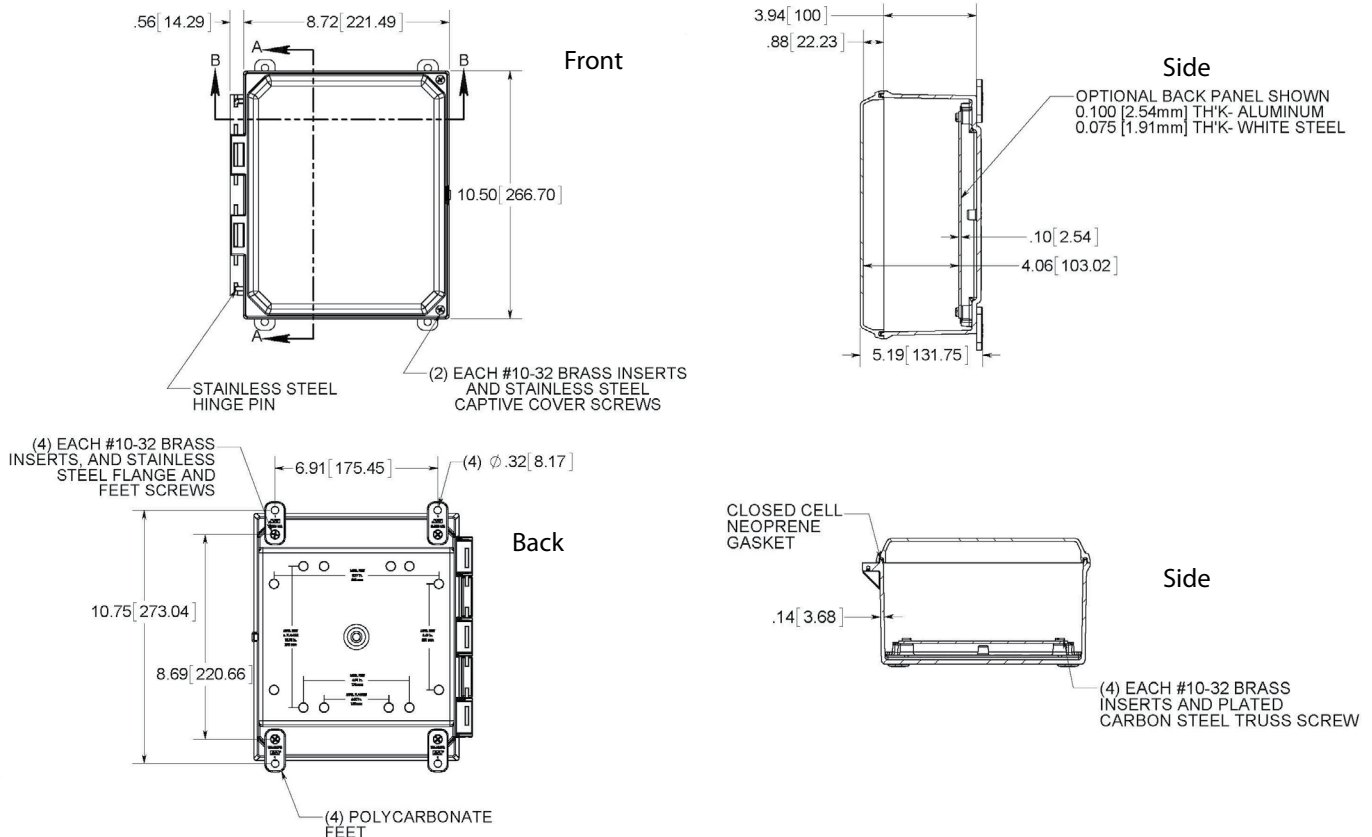
# Power Patrol Enclosure Kit Wall Mount Enclosure

The Power Patrol enclosure is a Polycarbonate Thermoplastic housing that is NEMA 4 rated. The Setra Power Patrol can be mounted inside the enclosure to protect electrical and electronic controls, instruments or components. The enclosure can be used in both indoor and outdoor applications.

- Integral DIN Rail Clip in Box For Mounting Power Patrol
- Mount Using The Polycarbonate Mounting Brackets
- Dimensions: 9.93" Length, 8.15" Width, 4.06" Depth
- UL50 and UL503 Certified



## DIMENSIONS



## ORDERING INFORMATION

Model	Description
SPP-ACC-ENC1	Power Patrol Enclosure Kit