



setra lite™

Visual Pressure Indicator

Features

- Simple single-room pressure indication for all pressurized spaces
- Sleek and attractive single wall plate
- Multiple installation options
- Simple to install in minutes
- Visual alarm via red/green light ring
- Configurable audible alarm
- Offset light pipe that can be seen at an angle or down a hallway
- Digital display can be always-on or momentary
- Is easy, using just 3 buttons
- Analog configuration output provides pressure reading to BMS system
- Works with Setra FLEX to serve rooms with multiple doors

Accurate measuring & display

Setra Lite provides a simple, cost-effective, and accurate way to measure and display room differential pressure for spaces that currently require manual verification. For local staff managing an area, Setra Lite has a light ring that is green or red and an optional audible alarm providing clear indication of room conditions. For facilities using Setra Lite means the frequency of preventative maintenance walk-by inspections can be reduced because Setra Lite is monitoring the space.

Setra Lite features

Setra Lite has many features found only in larger, more complex room pressure monitors, including: a bright light ring that can be seen at an angle or down a hallway, a digital display of the pressure value that is always-on or momentary, an alarm delay for door entry, and POS or NEG room mode. The Setra Lite sensor has Setra's accuracy and reliability you know you can trust.

Simple installation

Setra Lite is about the size of a standard light switch, and just as a simple to install. It fits in a single-gang US electrical box, international 86-box or international round back-box, and is powered by 24 VAC or 24 VDC. The reference side pressure pickup is integral with the Lite faceplate. An analog output provides the building management system with the pressure signal for any additional trending or alarming needed.

The Setra Lite also integrates seamlessly with the Setra FLEX environmental monitor. Mount Setra Lite at additional doors that enter the space, and use an on-screen badge to display its value.

Applications

- Sterile processing & storage
- USP 797 compliance
- Endoscopy
- Bronchoscopy
- Laundry
- Protective patient rooms
- Isolation rooms (All)
- Emergency ICU tents
- Recently Reconfigured spaces
- Critical & Non-critical ASHRAE-170 spaces
- Replacement of ball/tube through the wall pressure indicators



Pressure indication



Simple green status



Red indicates alarm



Specifications

Physical description

Dimensions	See table on next page
Mounting	See table on next page
Position	See table on next page
Case	Fire-retardant plastic UL94 V-0
Weight	8 oz (0.5 lbs)
Display	Color: RGB, 65K; Resolution: 128x160, backlight: LED
Alarm indication	Visual: Red illuminated LED light ring, 11mm standoff from faceplate, viewable at 90° angle from side
Audible	2 secs on 1 sec off, audible from up to 150ft (30m)

Performance

Accuracy¹	±0.5% FS
Non-linearity (BFSL)	±0.44% FS
Hysteresis	±0.10% FS
Non-repeatability	0.05% FS
Span Tolerance	±1% Rdg
Thermal effects²	
Zero shift %FS/°F (°C)	±0.033 (±0.06)
Span shift %FS/°F (°C)	±0.033 (±0.06)
Long-term stability	±0.5% FS per year
Overpressure	±1 PSI (15" WC for <0.10" WC FS)
Pressure media	Air or non-conductive, non-explosive gases
Pressure fittings	Pressure port for 1/8 in X 1/4 in tubing

Environmental data

Operating temp. °F (°C)	32 to 120 (0 to 50)
Storage temp. °F (°C)	-20 to 160 (-30 to 70)
Operating humidity	5 to 95% RH (non-condensing)
Ingress protection (IP) rating	IP54

¹ RSS of non-linearity, non-repeatability, and hysteresis
² Units calibrated at nominal 70°F maximum thermal error computed from this datum
³ Zero tolerance negated by zero push button

Display

Light ring	Green, red, yellow, or off
Numeric value	4 digits

Features

Re-zero	Single press-and-hold to re-zero sensor
Alarm thresholds	Set numeric threshold in "WC or Pa
Door delay	Set door alarm delay for 0-999 seconds
POS or NEG indicator	Set display to show POS, NEG, or off
Display on/off	Set display to always-on, or momentary press to show pressure value
Significant digits	1, 2, or 3 after decimal point, POS or NEG
Light ring	Set LED ring to: 1). Steady green, steady red if alarm 2). Green OFF, and steady red if alarm 3). Always off
Units	Set units on the display to show "WC or Pa
Selectable room location	Set location of the Lite on the display. Use Inside Room if Lite is in the measured space, and Outside Room if Lite is in the reference space.

Electrical

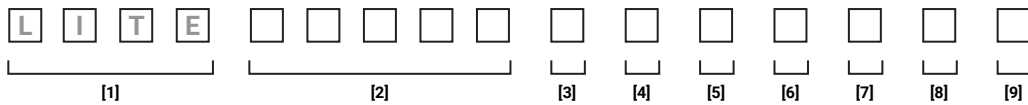
Power	24 VAC (±10%) 24 VDC (18-32) 50-60 Hz
Power draw	2W max, 1W typical
Analog output³	Set for 0-5V, 0-10V, or 4-20mA signal
Wire	Stranded unshielded twisted-pair, 18-24 AWG
Terminals	Removable terminal block

Regulatory compliance

CE, RoHS, CSA, UKCA

Ordering information

Example part number: LITE-R25WB-D-W-L-V-S-A-N



[1]	[2]	[3]	[4]	[5]	[6]	[7]	[8]	[9]
Model	Transducer Range	Accuracy	Color	Orientation	Alarm	Mounting Location	Communication	Accessories
LITE Setra Lite	R25WB ±0.25" WC OR5WB ±0.5" WC 001WB ±1" WC 2R5WD 0-2.5" WC 003WD 0-3" WC 050LB ±50 Pa 100LB ±100 Pa 250LB ±250 Pa 750LD 0-750 Pa	D ±0.5% FS	W White	P Portrait L Landscape	V Visual only A Audio and visual	S Display-selectable	A Analog	N No accessories M' Quick-mount kit D Dual alert

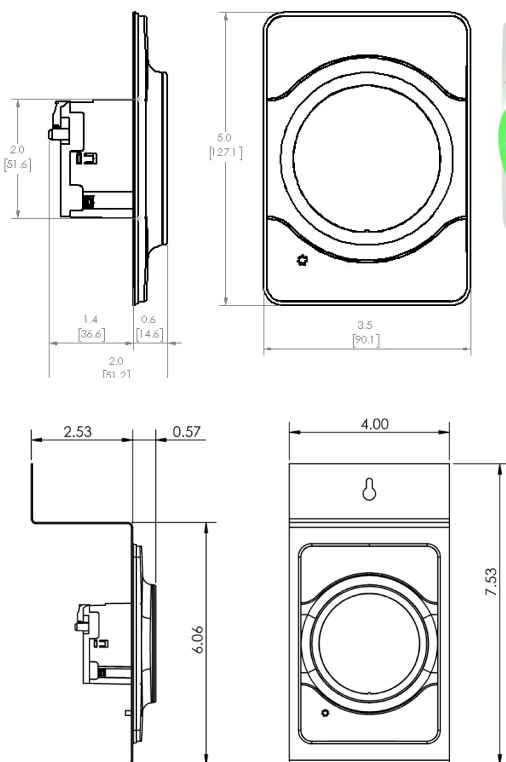
¹Quick-Mount kit only available with portrait orientation
 To order Quick-mount Kit without the base Lite, use part number 229451.
 To order Dual Alert Kit without the base Lite, use part number 380302.

Setra Lite configurations

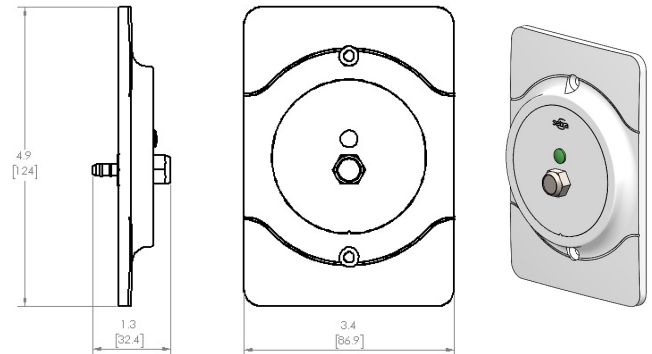
	Monitor Only	Dual Alert	Quick-Mount Kit
Use case	Simple permanent monitoring of airflow	Simple permanent monitoring of air flow where status is desired in both spaces	Simple temporary monitoring of airflow
Set up	<ul style="list-style-type: none"> Flush mount install with 2" holesaw or in std single gang box Install 24 VAC/VDC wiring 	<ul style="list-style-type: none"> Flush mount install with 2" holesaw or in (2) std single gang boxes OR Flush mount install where previous thru wall monitor Apply 24 VAC/VDC wiring 	<ul style="list-style-type: none"> Quick-mount on a simple hook or screw Apply 24 VAC/VDC via wiring or portable power supply
Kit includes	<p>Setra Lite Base Unit - Specified by customer</p> <ul style="list-style-type: none"> Pressure Pickup Port (Setra RPS) Mounting Hardware Elbow Connectors 250 ohm resistor (If wiring inputs for 4-20 mA current loops) 	<p>Setra Lite Base Unit - Specified by customer</p> <ul style="list-style-type: none"> LED alarm indicator with 30" cable Pressure Pickup Port (Matching Dual Alert Variant) 30" of rubber connecting tubing Mounting Hardware Elbow Connectors 250 ohm resistor (If wiring inputs for 4-20 mA current loops) 	<p>Setra Lite Base Unit - Specified by customer</p> <ul style="list-style-type: none"> Pressure Pickup Port (Setra RPS) Battery Pack AC Adapter with 6-foot cord Mounting bracket
Mounting	<ul style="list-style-type: none"> Single-gang US electrical box, China 86 box, European back box, or equivalent interior dimensions Direct to wall 	<ul style="list-style-type: none"> Single-gang US electrical box, China 86 box, European back box, or equivalent interior dimensions Direct to wall 	<ul style="list-style-type: none"> Temporary mounting plate with single clearance hole
Mounting position / orientation	Can be mounted vertical or horizontal, re-zero after installation	Can be mounted vertical or horizontal, re-zero after installation	Mount vertically
Dimensions	3.55" W x 5.00" H x 2.01" D (90 mm x 127 mm x 51 mm)	3.55" W x 5.00" H x 2.01" D (90 mm x 127 mm x 51 mm)	4.00" W x 7.50" H x 3.10" D (102 mm x 191 mm x 78 mm)
Weight	8 oz (0.5 lbs)	7 oz (0.4 lbs)	24 oz (1.5 lbs)

Dimensions

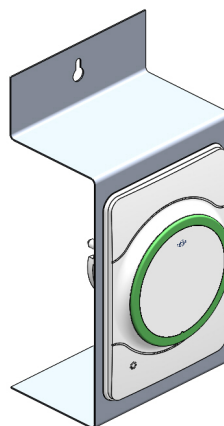
Setra Lite Base Unit



Dual Alert - Room Pressure Pick Up Port



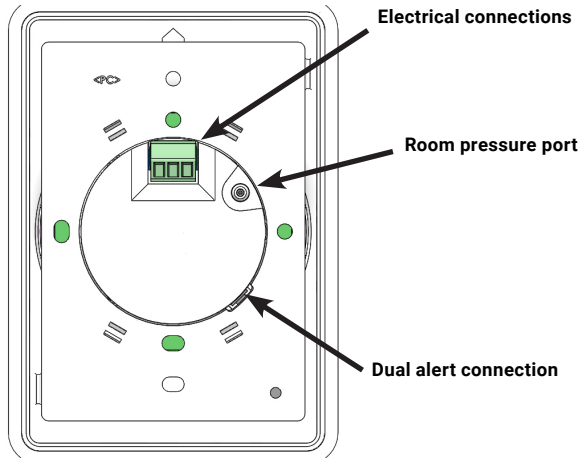
Quick-Mount Kit



* For details of the standard room pressure pickup port see Setra RPS documentation

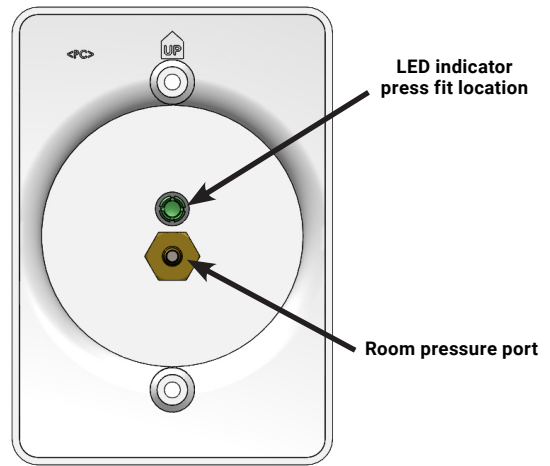
Wiring tubing connections

Setra Lite Base Unit



REAR VIEW OF WIRING / PRESSURE PORT

Dual Alert - Room Pressure Pick Up Port

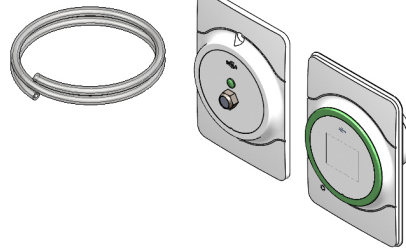


Kit contents – What’s in the Box



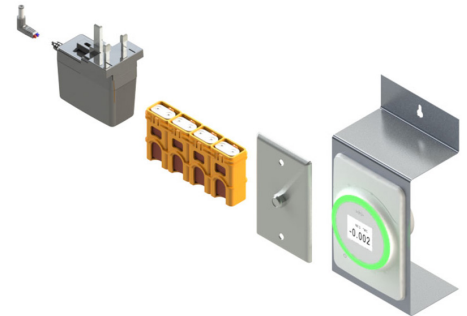
Monitor Only

- Setra Lite Base Unit - specified by customer
- Pressure Pickup Port (Setra RPS)



Dual Alert

- Setra Lite Base Unit - specified by customer
- LED alarm indicator with 30" cable
- Pressure Pickup Port (Matching Dual Alert Variant)
- 30" of rubber connecting tubing



Quick-Mount Kit

- Setra Lite Base Unit - specified by customer
- Single gang pressure pickup
- Battery Pack
- AC Adapter with 6-foot cord
- Mounting bracket



Setra Systems, Inc.
159 Swanson Road
Boxborough, MA 01719

1.978.263.1400
www.setra.com

© Setra Systems, Inc. All rights reserved.

The Setra Systems name and logo are trademarks of Setra Systems, Inc.