



Model SRMD

Room Monitoring Display

Features

- Easy out-of-box installation
- Comes calibrated with sensors
- Easy to see from up to 30'
- Single display with silver or white bezel, or dual display with white bezel
- 1" illuminated LCD characters-Red, Green, or Blue
- IP-54 wipe down design for critical applications
- Fits into Off-the-shelf electrical gang box
- Compatible with any analog 0-5VDC or 0-10VDC output

Where we're installed

- Cleveland Hospitals
- IBA Molecular
- Marymount Hospital
- Med Central Health System
- Pittsburgh VA Hospital

The SRMD is designed to provide a prominent display in critical environments. The SRMD takes inputs from critical sensors, and display the parameters in 1" illuminated LCD characters. The SRMD is sensor agnostic and accepts 0-5VDC or 0-10VDC inputs. However, it is also available to order calibrated with Setra humidity/temperature sensors, ensuring that it is ready to install out of the box, providing quick installation. The SRMD is available in a single configuration with white or metallic bezel, or a white bezel dual configuration. The LCD characters are available in three colors; red, green, and blue.

High visible LCD display

Real-time environmental monitoring is essential in critical spaces such as operating rooms, laboratories or medical manufacturing clean rooms. The SRMD is a display panel which takes sensor information and displays with 1" LCD characters. The SRMD is offered in either a single or dual display configuration with 3 color choices (red, green, blue) so that the end user can clearly see the critical parameters from up to 30' away.

Installation without customization

The SRMD is designed to make things easy for both the installer and the end user. The unit mounts in an off-the-shelf electrical box making the installation simple once the rough-in phase of the job is complete. The SRMD accepts either a 0-5 or 0-10 VDC input, can be calibrated for any parameter, and is powered by either 24 volts DC or AC.

Let Setra perform the calibration

The installer has enough to think about on the job site, so let Setra take some of the burden. When paired with Setra's SRH relative humidity sensors, the SRMD comes per-configured and ready for installation out of the box. This drastically reduces the installation time needed for the application.



Specifications

Physical description

Flesh Mount Bezel	Fire retardant UL94V-0
Bezel Dimensions	Single Display Model - 5.9"H x 5.9"W Dual Display Model - 5.9"H x 5.9"W
LCD Assembly Dimension	1.89"H x 3.78"W x 1.5"D
Weight (approx.)	Single Display Model - 10oz (554g) Dual Display Model - 13 oz (369g)
Mounting	Standard 4-11/16 Double Gang Electrical Box

Environmental Data

Operating Temp. °F (°C)	14 to +122 (-10 to +50)
Storage Temp. °F (°C)	-40 to +167 (-40 to +75)
Operating Humidity	5 to 95% RH (Non-Condensing)
Ingress Protection	IP54 Rated

Electrical data (voltage)

Power Input	15-32 VDC or 24 VAC
Current Consumption	150mA max (per display)
Analog Signal Input	Jumper Selectable 0-5 VDC or 0-10 VDC
Adjustments	Wide Adjustable Zero & Span by 25 Turn Pots
Accuracy	±1%FS ± 2 Counts
Input Impedance	Greater than 300K ohms
Sampling Rate	3 Readings per Second
Connection	Screw Terminals

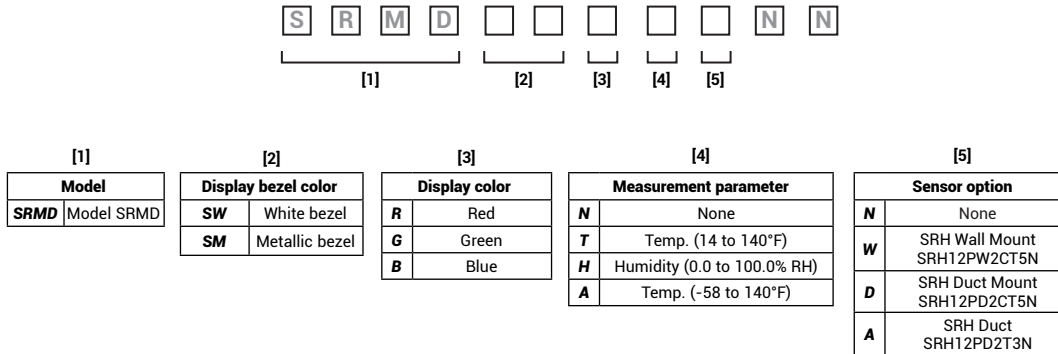
Display

LCD	Available in Red, Green or Blue Backlit 1" high 3.5 digit (±1999 counts)
Engineering unit labels	Jumper Selectable °F °C % PSI, PPM, "WC
Decimal point	Jumper Selectable

Ordering information

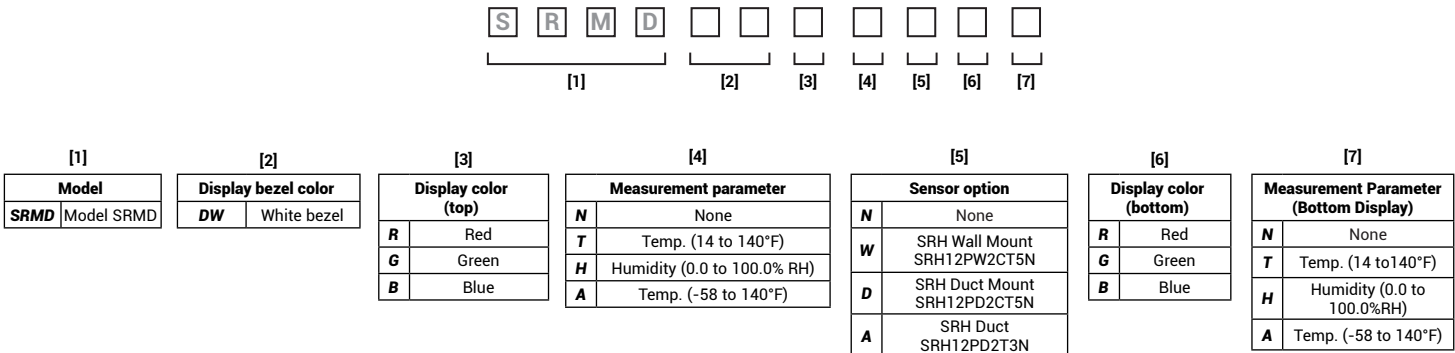
Example part number: SRMDSWRTWNN

Model SRMD single display, white bezel, red display, temperature, with SRH wall mount sensor.



Example part number: SRMDDWRTWGH

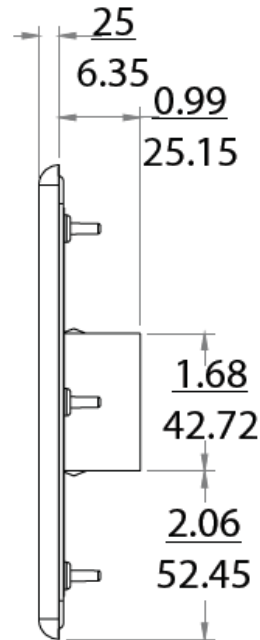
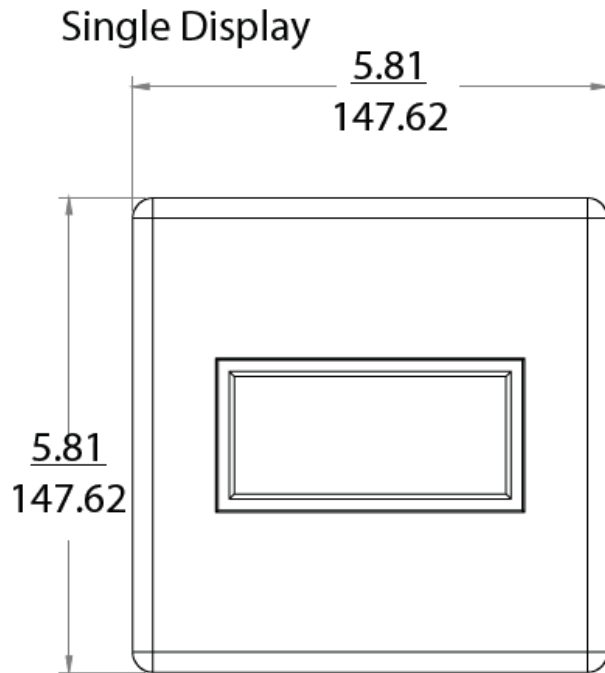
Model SRMD dual display, white bezel, red display w/temperature on top, SRH Wall Mount Sensor green display w/ humidity on bottom.



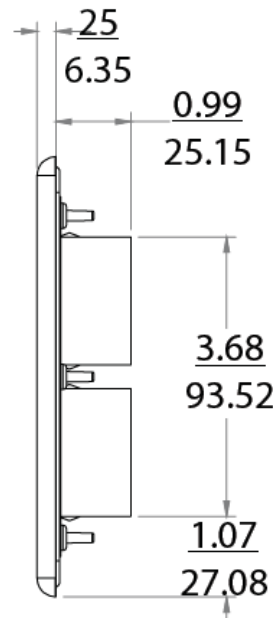
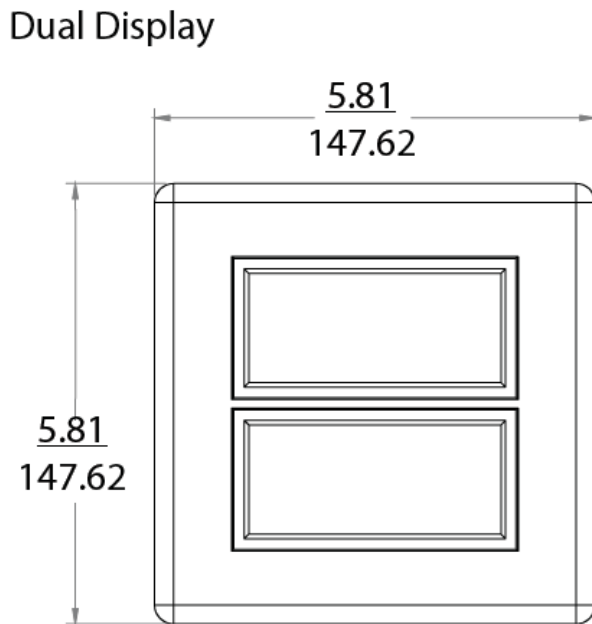
1. The SRH Wall Mount (W), Duct Mount (D&A) relative humidity sensors are available as an option when selecting either option A or T (Temperature) or H (Humidity).
Note: Setra's SRH relative humidity sensors contain a humidity and temperature output.

2. Dual display units configured with a SRH humidity / temperature sensor cannot be ordered with temperature on top and bottom (Code TT, TA, or AT) or with humidity on top and bottom (Code HH).

Dimensions



in.
mm





Setra Systems, Inc.
159 Swanson Road
Boxborough, MA 01719

800.257.3872
www.setra.com

© Setra Systems, Inc. All rights reserved.

The Setra Systems name and logo
are trademarks of Setra Systems, Inc.