

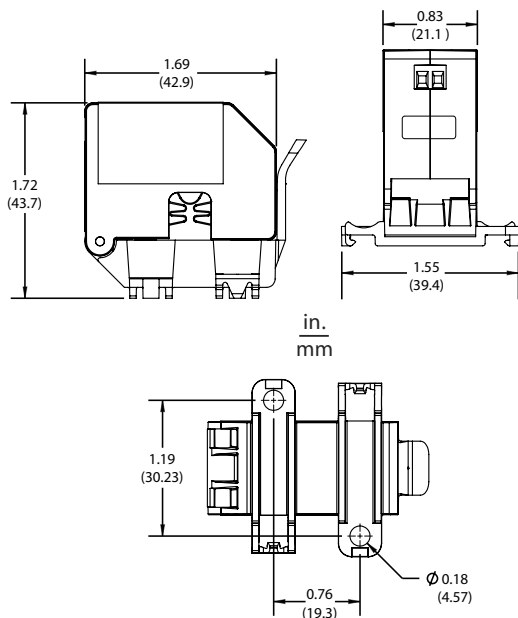
Model CCM

Mini Current Switch



Setra's Model CCM is the industry's smallest split-core current switch offering a cost effective solution for monitoring light to medium current loads in common HVAC applications. It is designed to detect increases or decreases in operating current based on belt loss, slippage or mechanical failure within a process. The CCM incorporates an integrated DINrail and surface mounting flange for easy installation in any application, at no additional cost. The Mini Current Switch is easily clamped onto new or existing power cables or wires, making it ideal for new construction and retrofit projects.

DIMENSIONS



GENERAL SPECIFICATIONS

Model	CCMF015
Amperage Range	0.15 to 60 A
Continuous Operating Current	60A, 300V AC
Current Set Point	Fixed
Switch LED Indication	No
Relay LED Indication	No
Trip Point Set Value	0.15A
Current Switching Mode	Under Current Sensing
Dimensions	1.57 H X 1.66 L X 1.52 W in. (39.9) x 42.2 L x 38.6 W mm)
Aperture Size	0.3 in. (7.6 mm) 6 AWG
Sensor Power Source	Induced from power conductor cable
Status Output	Switch normally open (when energized above trip point switch closes)
Switch Load Capacity	1A @ 30V AC/DC
Isolation Voltage	300V AC rms.
Temperature Range	5 to 140°F (-15 to 60°C)
Frequency Range	50/60 Hz
Humidity Range	0 to 95% non-condensing
Agency Approvals/Compliance	UL/c-UL Listed: 508, IND. Cont. EQ: E317719/ CE Compliant/RoHS Compliant

ORDERING INFORMATION

C C M F 0 1 5

Model	Description
CCMF015	Mini Current Switch, Trip Point Set Value 0.15 A